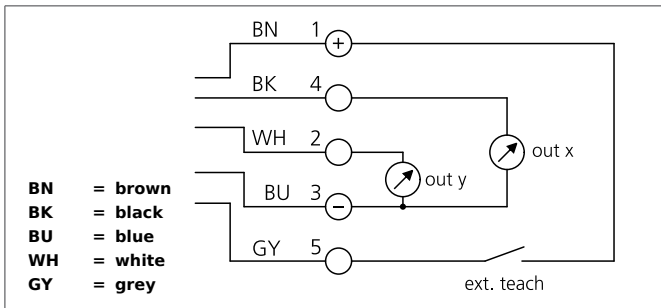


# NS 60 M 60XY-I-B5 Inclination Sensor

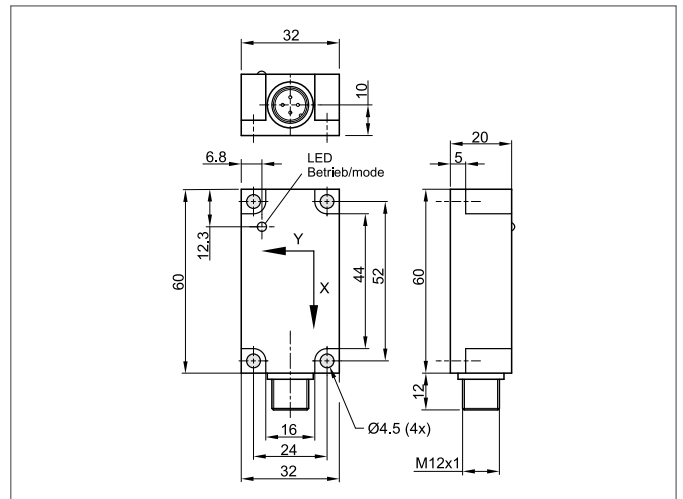
- Independent evaluation of two axes at the same time
- Measuring range  $\pm 60^\circ$
- Teach-in for zero position
- Two analog outputs 4 ... 20 mA
- Robust metal casing



### Safety instructions

The Instruments are not to be used for safety applications, in particular applications in which safety of persons depends on proper operation of the instruments.

These instruments shall exclusively be used by qualified personnel.



| TECHNICAL INFORMATION (typ.) | +20°C, 24V DC   |
|------------------------------|---|
| Maximum rating               | polarity-safe   |
| Service voltage              | 12 ... 30 V DC  |
| Internal power consumption   | < 25 mA, plus 2x20 mA under load                        |
| External teach input         | UB (> 6 V): Teach-in process / open: normal mode        |
| Detection range              | +/- 60° per axis  |
| Resolution                   | 0,3°  |
| Analog output                | 4 ... 20 mA, max. 250Ω (2x), linearised                 |
| Output signal                | 12 mA at 0°   |
| Sensitivity                  | +/- 3%  |
| Shock-/vibration load        | 30 g  |
| Display                      | LED: green - Switching output / Teach-in status display |
| Response time                | < 150 ms  |
| Reproducibility              | 0,5°  |
| Ambient temperature          | -25 ... +70 °C  |
| Temperature drift            | 0,03 °/K  |
| Protection class             | IP 67   |
| Casing material              | Aluminium anodized                                      |
| Connection                   | Connector, M12  |